



Docufold Pro

# Morgana DocuFold Pro

## Setting the standards in paper folding technology.

### Morgana DocuFold Pro

#### Key Features

- Powerful suction feeder
- 7" SmartScreen
- Side lay alignment of the sheets, prior to folding
- Low pressure suction chamber to control curled paper before it enters the fold rollers
- Fully enclosed fold plates fitted with anti-static brushes
- Plug in perforating and scoring attachment
- Variable speed up to 27,500 sph
- Catch tray to collect work for perforating or scoring
- Driven delivery belt stacker
- Counting & batching
- Double sheet, and jam detector

Equipped with the latest SmartScreen technology, it enables an operator with minimum training to carry out a variety of folds from an icon driven touch screen. An unlimited alpha numeric memory is available to store all standard and non standard jobs.

Key to the Morgana DocuFold Pro design criteria was a machine with a high degree of automation. Operation is therefore simplicity itself. Enter the sheet size and fold type on the DocuFold Pro SmartScreen and the machine automatically adjusts the fold plates and delivery rollers electronically.

The fold rollers will also compensate for most types of fold or paper weight without the need for adjustment, further enhancing the ease of use. Built-in anti-static brushes assist in the discharge of statically charged print material, one of the most troublesome problems faced by document finishers today.

To control curled paper, another potential difficulty, the pressure suction chamber which is built into the feed table, gently pulls down each sheet as it is being fed into the fold rollers.

A simple by-pass facility enables heavier cover stocks to be folded and delivered without passing through all the fold rollers. This by pass facility stacks the cover stock flat without curl into the catch tray or an optional belt stacker.



For perforating and scoring, patented plug in technology enables the operator to quickly and easily set the perforation/scoring unit on the bench prior to use.



A user friendly SmartScreen panel enables adjustments to 0.1mm on the fly if the fold plates or delivery roller needs to be moved. Within this SmartScreen panel are a counter and batching facility which are standard features. A further feature of the sophisticated SmartScreen is the ability to memorise and store repeated jobs in the alpha numeric memory which can then be retrieved within seconds.

# Morgana DocuFold Pro

Designed to handle work both from Litho and digital print engines. The plug in perforator unit is used for **perforating, scoring** and **folding** card cover stock.

The DocuFold Pro has been designed to handle work both from Litho and digital print engines. A powerful compressor will feed a wide range of stocks including coated stock. The new PosiFeed action combined with the register system ensures a high degree of folding accuracy and the 'overlap' detector ensures fold integrity.

Completed work is delivered back to the loading position via a long driven delivery belt stacker ensuring the DocuFold Pro footprint is as small as possible. Automation even extends to the delivery roller which moves electronically to the optimum position for the sheet size or fold. An operator can easily load or off-load the machine from the same standing position.

The fold rollers are extremely durable and have the ability to handle a wide variety of stock without adjustment. Not affected by paper dust, their unique composite material will positively grip high gloss papers or work from digital print engines. The patented, single pull-out cassette roller system allows rapid access for easy removal and replacement by non-skilled operators in less than 5 minutes keeping maintenance costs to a minimum.



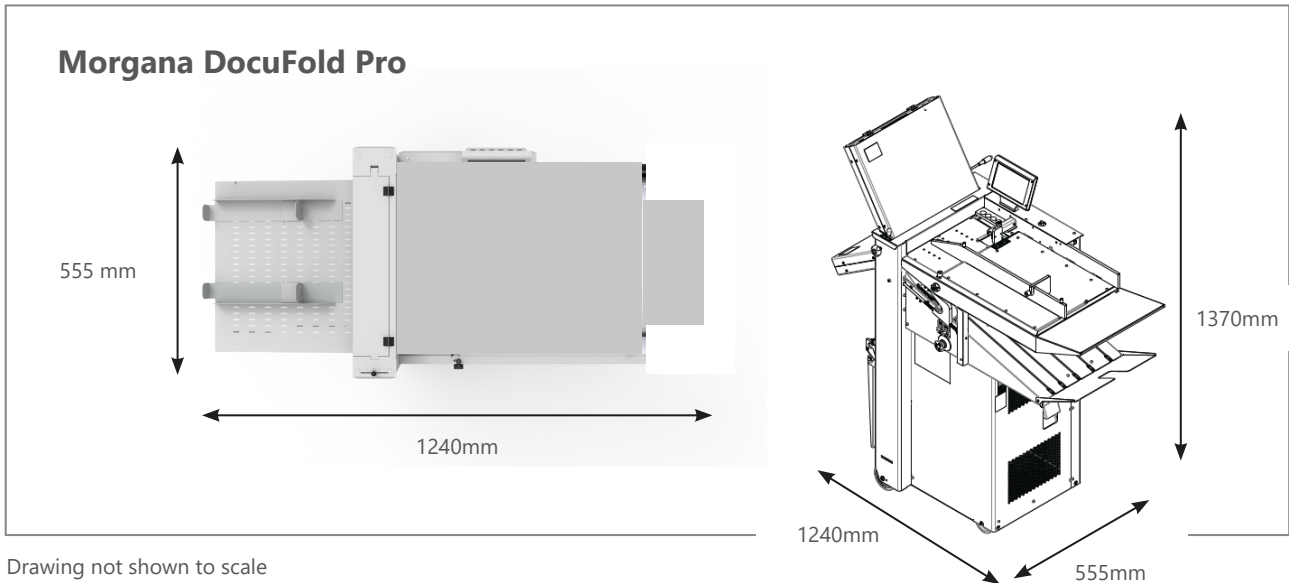
*The Scoring/perforating unit can be stored efficiently on the side of the machine when it is not being used.*

## Perforation

The plug in perforator unit is used for perforating, scoring and folding card cover stock. Upper and lower hubs can be positioned on the shaft by unscrewing the grub screw. For example, to perforate 20mm from the edge of an A4 sheet, you would set the blade at 190mm.



# Machine Footprints



Drawing not shown to scale

## Technical Specifications

Maximum sheet size	674mm x 365mm
Minimum sheet size	160mm x 140mm (94mm with optional narrow sheet attachment)
Maximum paper weight	240gsm (0.24mm - varies according to material and grain direction)
Minimum paper weight	56gsm (0.08mm - varies according to material and grain direction)
Maximum folds per sheet	2
Load capacity	500 sheets 80gsm
Maximum number programmed applications	Unlimited alpha numeric
Speed per hour (A4)	27,500 (stream feed)
Dimensions	L1240 x W555 x H1370mm
Weight	132kgs
Power requirement	240v 50/60hz
Options	Narrow sheet kit - 94-073-02

There is a full range of perforator blades available as follows:

For fine perforation 56 tooth:	Part Number 1.99-41
For Paper 28 tooth:	Part Number 1.99-12
For heavier Stock 20 tooth:	Part Number 1.99-10
For use with blades Anvil:	Part Number 1.99-35
Slitter set for cutting:	Part Number 1.99-13

## Scoring

It is possible to score work using the plug in perforator. The scorers are split in two halves, fitted to the upper shaft

Scorers available:

Type A:	Part Number 6.99-05 for most card
Type B:	Part Number 6.99-06 for deep score
Type D:	Part Number 6.99-09 for paper

Morgana Systems Ltd ▪ Tel: 0800 1381 882 ▪ [www.plockmaticgroup.com](http://www.plockmaticgroup.com) ▪ email: [sales@morgana.co.uk](mailto:sales@morgana.co.uk)

**\*Disclaimer** As part of our continued product improvement plan, specifications and information published here are subject to change without notice. All specifications are dependent on application, type of stock, temperature, RH and print engine used. Specifications quoted were measured on uncoated and unprinted stock. E & OE.